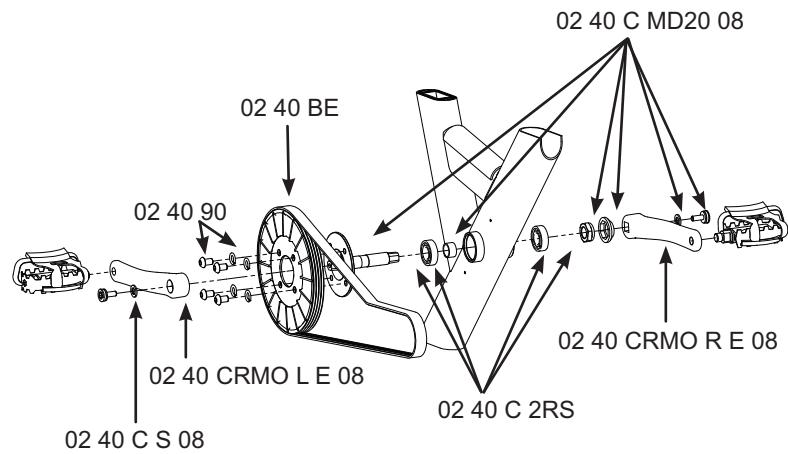
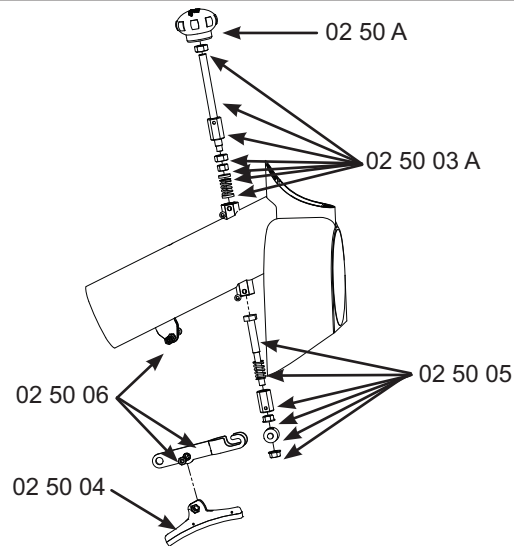


SPARE PARTS

Drive Gear Parts



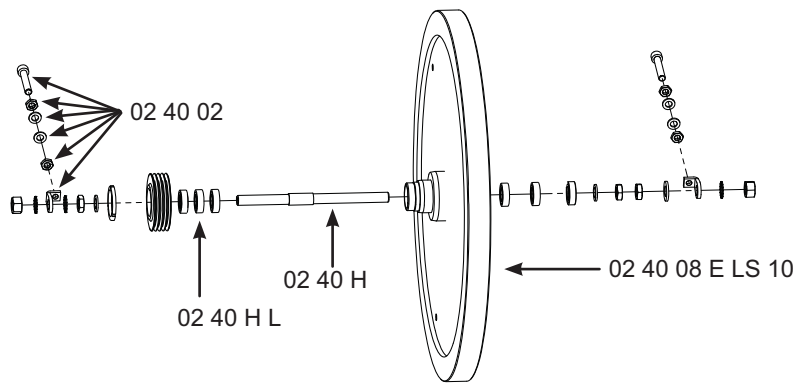
Brake Parts



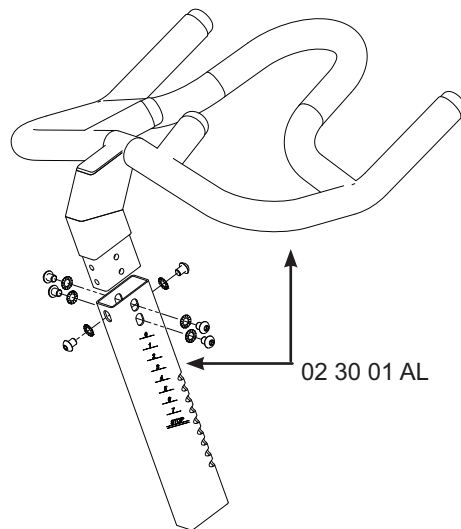
ENG ESP

SPARE PARTS

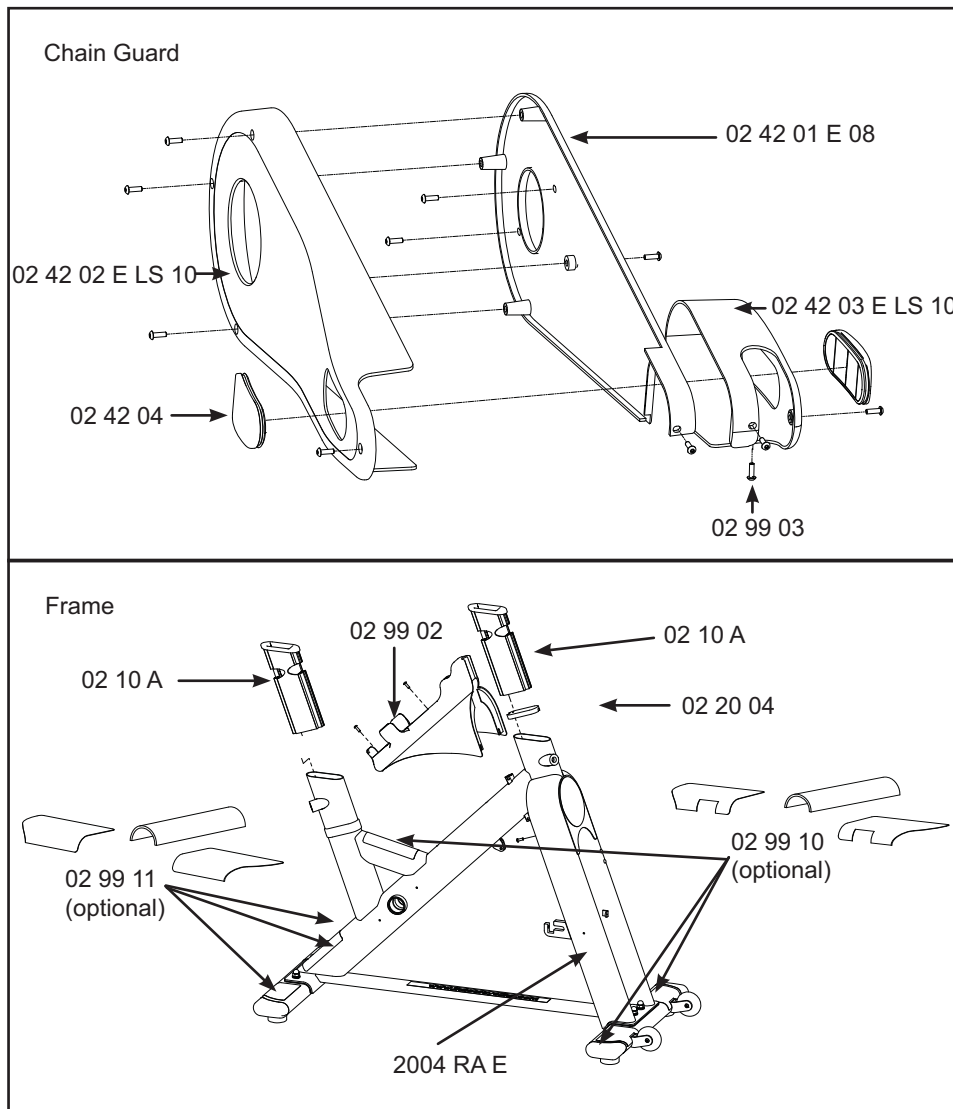
Flywheel



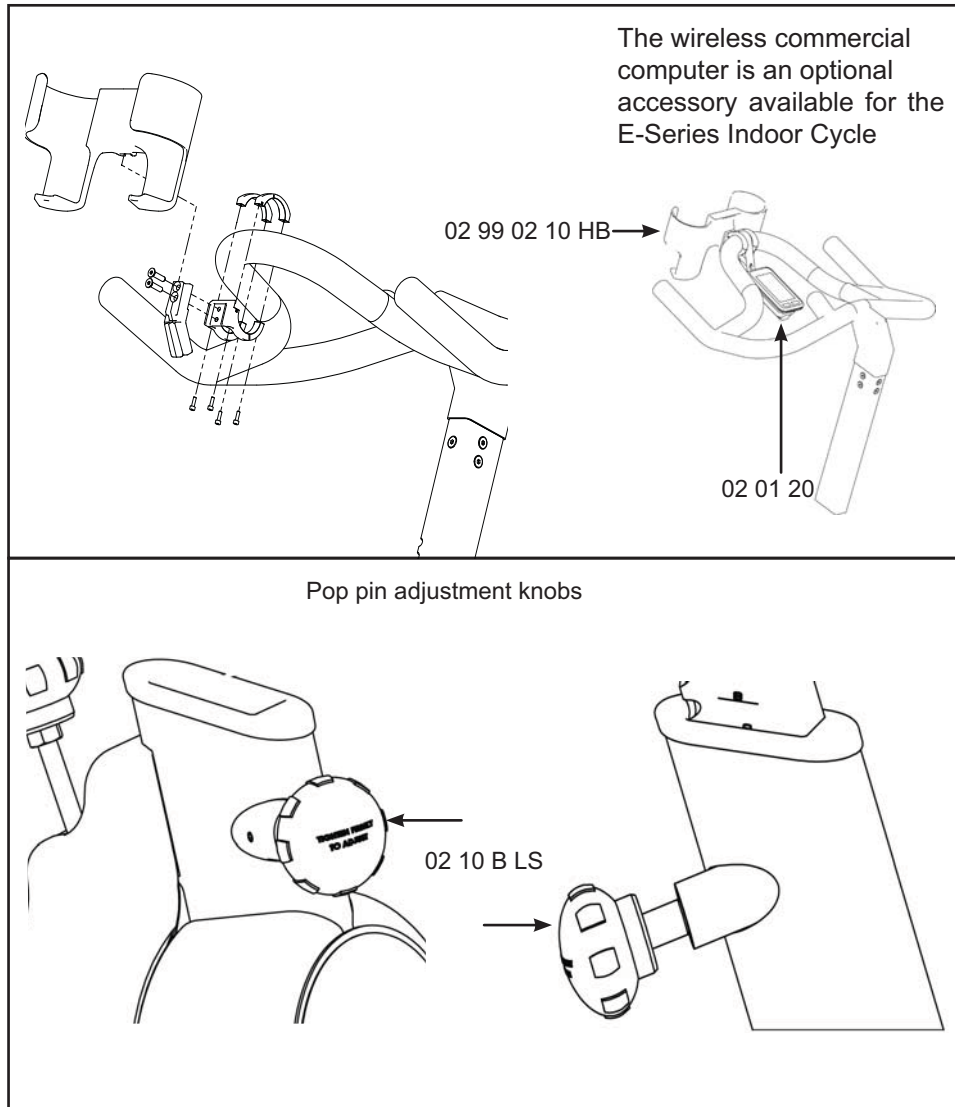
Handlebar



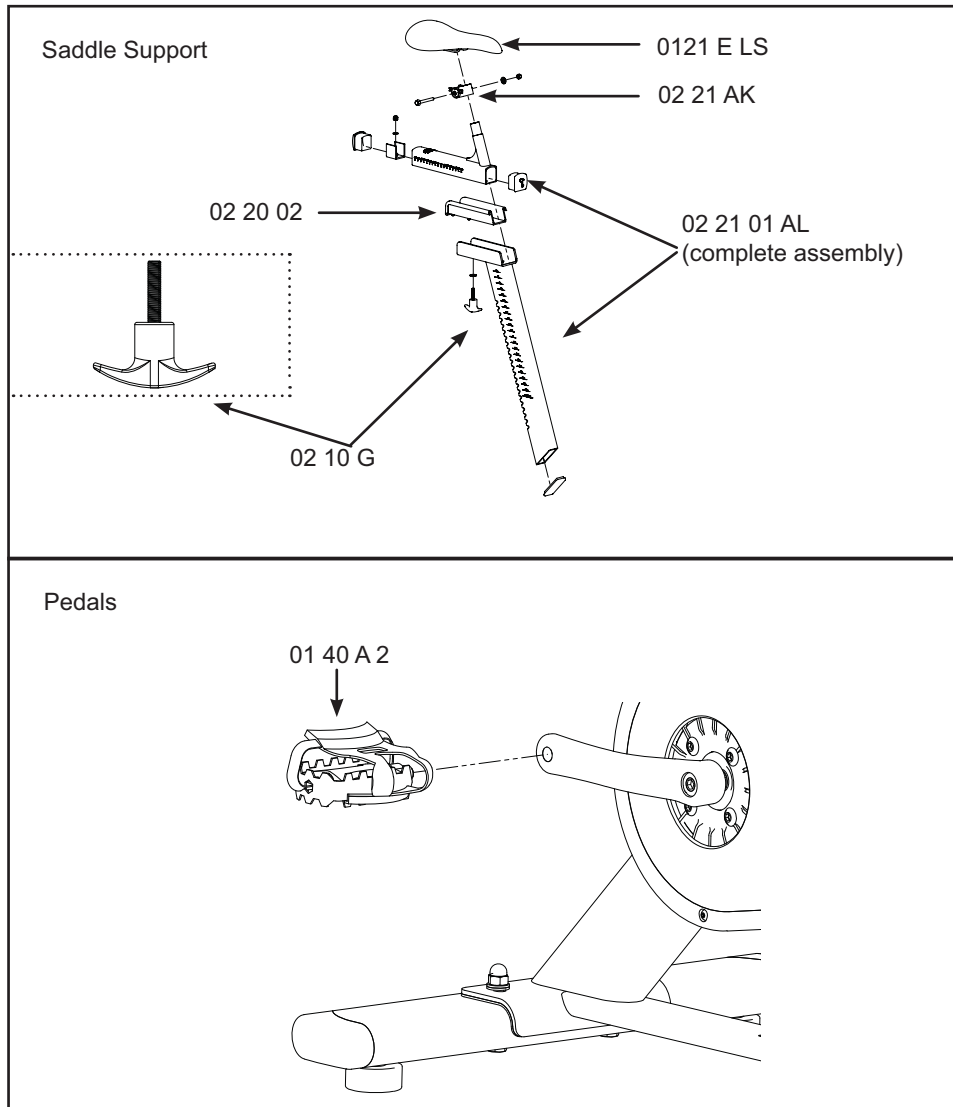
SPARE PARTS



SPARE PARTS



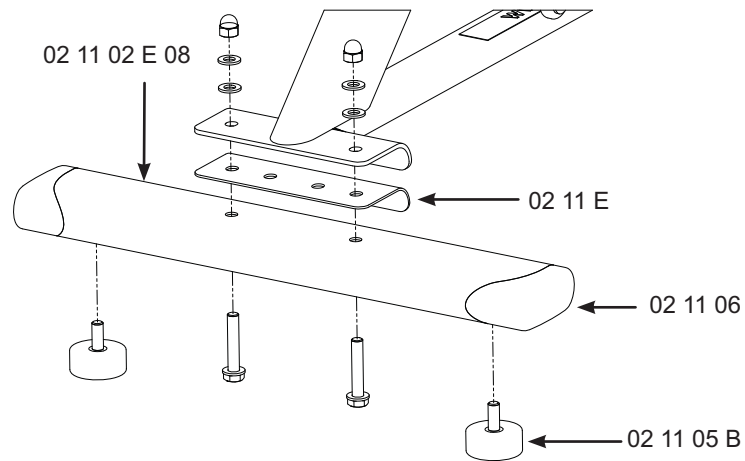
SPARE PARTS



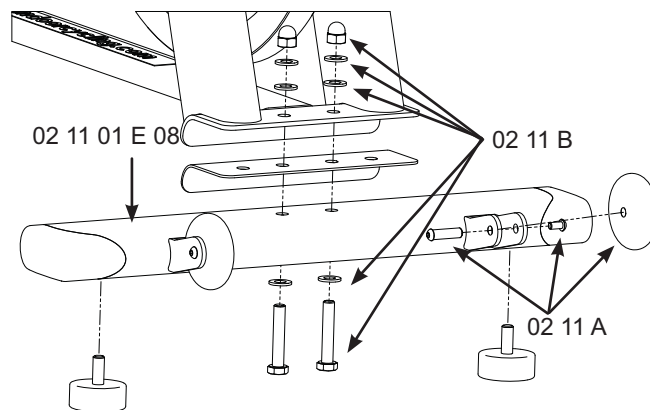
ENG ESP

SPARE PARTS

Rear Stabilizer



Front Stabilizer



SPARE PARTS LIST

Drive Gear Parts

02 40 CRMO R E 08	Right crank
02 40 CRMO L E 08	Left crank
02 40 C S 08	Allen bolt M8x20
02 40 C MD20 08	BB assembly MD20
02 40 C 2 RS	Ball bearing SKF 6004Z

Brake Parts

02 50 A	Brake adjustment knob
02 50 06	Bell crank
02 50 04	Brake pad
02 50 03 A	Upper brake rod
02 50 05	Lower brake rod

Flywheel

02 40 H	Flywheel axle
02 40 02	Chain tensioner
02 40 H L	Flywheel bearing 6001Z
02 40 08 E LS 10	LS-E-Series flywheel

Handlebar

02 30 01 AL	E-Series handlebar
02 10 B LS	Pop pin adj. knob

Pedals

01 40 A 2	Combi-Pedals (pair)
01 40 A 3	Toe strap (pair)

Front Stabilizer

02 11 01 E 08	Front Stabilizer
02 11 B	Stabilizer mounting kit
02 99 10	Front protection plates (optional)
02 11 A	Transport wheel

Chain Guard

02 42 02 E LS 10	Outer chain guard
02 42 04	Plastic cover
02 42 01 E 08	Inner chain guard
02 42 03 E LS 10	Left cover
02 99 03	Allen bolt M4x15

Frame

2004 RA E	E-Series frame
02 10 A	Vertical insert sleeve
02 20 04	Rubber stop handleb.tube
02 99 02	Bottle holder

Belt drive

02 40 BE	Belt
----------	------

Saddle Support

0121 E LS	Saddl
02 21 AK	Saddle mounting bracket
02 21 01 AL	Horizontal & vertical saddle support
02 20 02	Horizontal insert sleeve
02 10 G	T- Lock handle
02 10 B LS	Pop pin adj. knob

Rear Stabilizer

02 11 E	PVC gasket
02 11 02 E 08	Rear stabilizer
02 11 06	Plastic end cover
02 11 05 B	Rubber foot stand
02 99 11	Rear protection plates (optional)

For components and parts relating to the commercial onboard computer please refer to page 9.